



Serial Number Tag Location Sheet

After 7/93, Rotary Lifts use a coded serial number, as follows : XXX93CXXXX

The first three digits (XXX) indicate the lift model

The next two numerals (93) indicate the year of manufacture

The next alpha character (C) indicates the month of manufacture, (A) January, (B) February etc.

The last four digits represent the number of that model manufactured in that quarter.



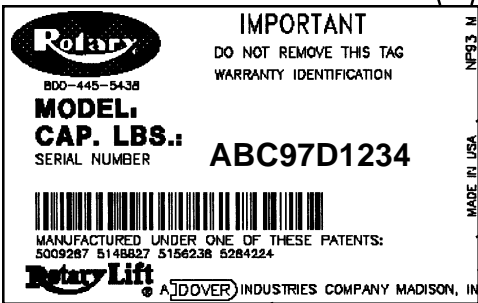
Two Post Surface Lifts



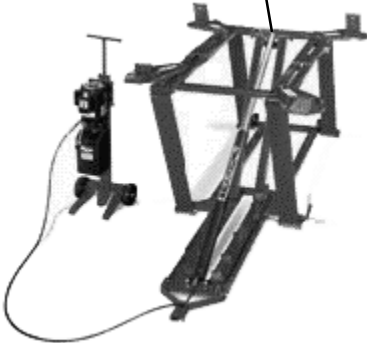
HP Series
Heavy Duty
Portable Lifts



Inbay Asymmetrical Lift



Four Post Surface Lifts

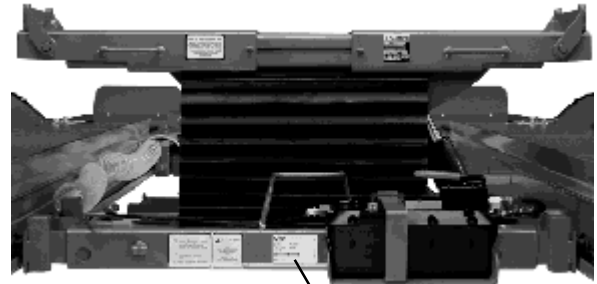


Low / Mid Rise Surface Lifts

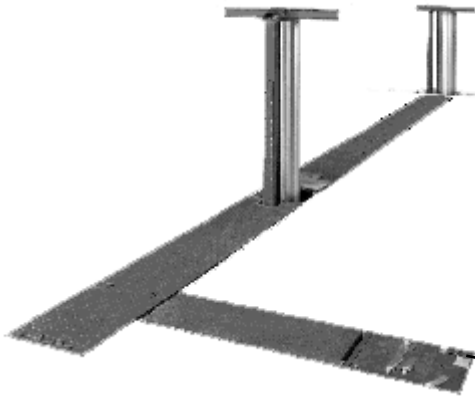


Rotary Advantage Parallelogram Lift

Serial Number Tag Location Sheet (cont'd)



Rolling Jack

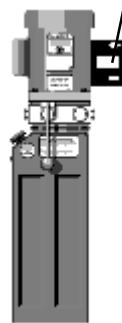


Front Movable Bus & Truck Lift

	IMPORTANT DO NOT REMOVE THIS TAG WARRANTY IDENTIFICATION	NF93 M MADE IN USA
	BDD-445-5438 MODEL, CAP. LBS.: SERIAL NUMBER	
MANUFACTURED UNDER ONE OF THESE PATENTS: 5009287 5146827 5156238 5284224		
	A DOVER INDUSTRIES COMPANY MADISON, IN	



SL29 "SmartLift"



SL19 Single Post "SmartLift"